



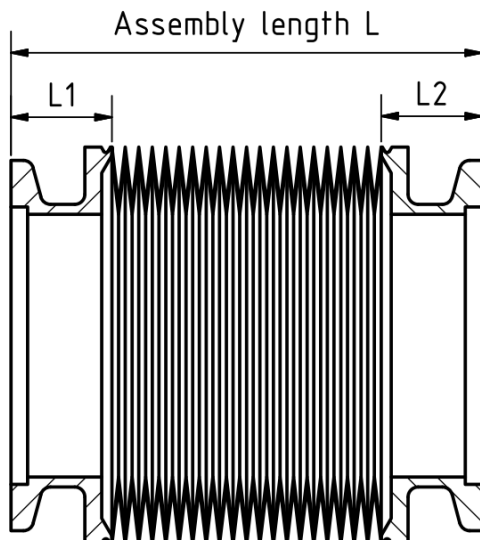
Edge welded bellow data sheet

Part name: KF25EWB-20

Part number: 403089

date: 01.11.2016

Geometric dimensions			Technical specifications		
Inner diameter	[mm]	26	Vacuum side	Inside	
Outer diameter	[mm]	46	Helium leak rate	[mbar·l/s]	1·10 ⁻⁹
Assembly length L min	[mm]	33.4	Operating temperature	[°C]	20
Assembly length L max	[mm]	53.4	Bakeout temperature	[°C]	80
Axial stroke	[mm]	20	Total weight	[g]	26
Number of convolutions		11	Spring constant axial	[N/mm]	6.8
End piece length L1	[mm]	14	Tensile force axial*	[N]	38
End piece length L2	[mm]	14	Resulting force axial**	[N]	148
Materials			* required force to pull to maximum assembly length		
bellow	316L		** required force to hold on maximum assembly length during evacuation of the inner volume		
End pieces/ Flanges	316L		Number of cycles	10'000	



Important note:

Number of cycles is describing the maximum number of strokes during the life time. Improper installation or use of the bellows out of specifications result in a reduction of life time. Please avoid especially any torsional load and pollution with particles